



Manufacturer: Multivac
Type: R530
Year Built: 2000

This used Multivac R530 Thermoformer is built in 2000. The machine has a film width of 459mm and there is a dye set on the machine with an exit of 230mm. The format is now divided in a 3.1 format. The machine is equipped with 2 formats. These formats can be used for Rigid film packaging. The format does not have a stamp. The frame of the machine is currently 6375mm long, but we can always adjust this to the dimension you need.

Machine details

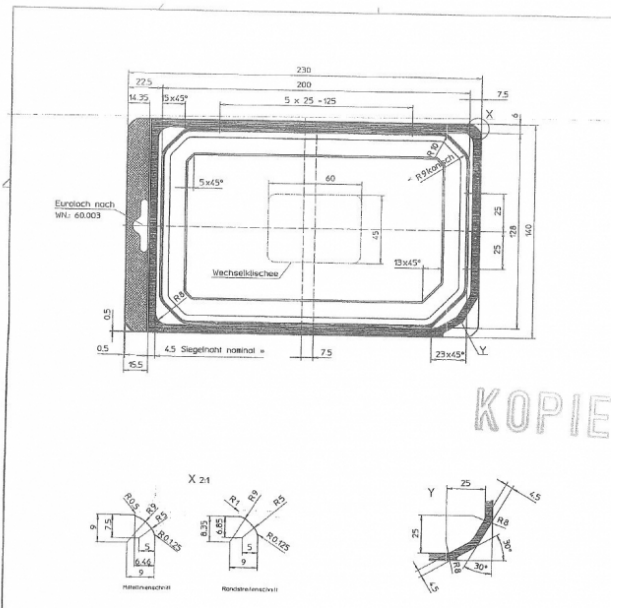
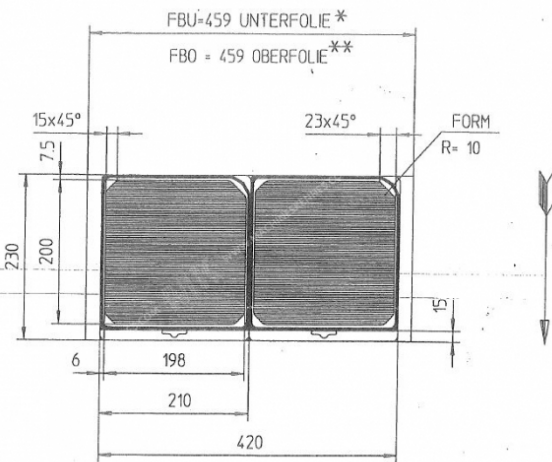
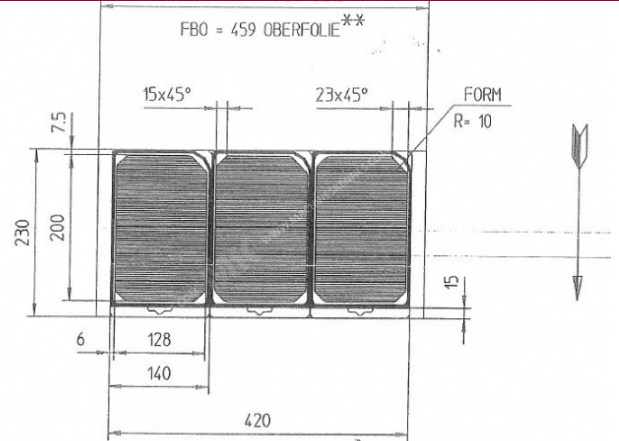
- Type under foil unwinding: 76mm Core.
- Type top foil unwinding: 76mm core.
- The machine has 1 QRP cut.
- The machine is equipped with a Cassette Undercut length cutting.
- For the process the residual foil is a Roll-up wheels on this machine.
- This machine has no output belt.

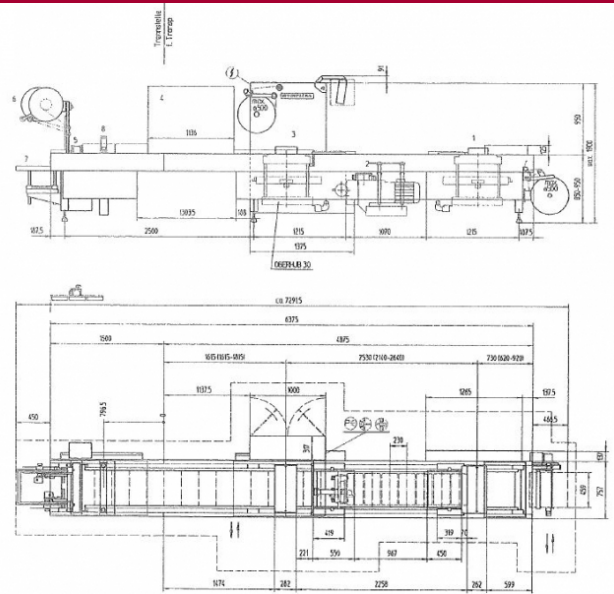
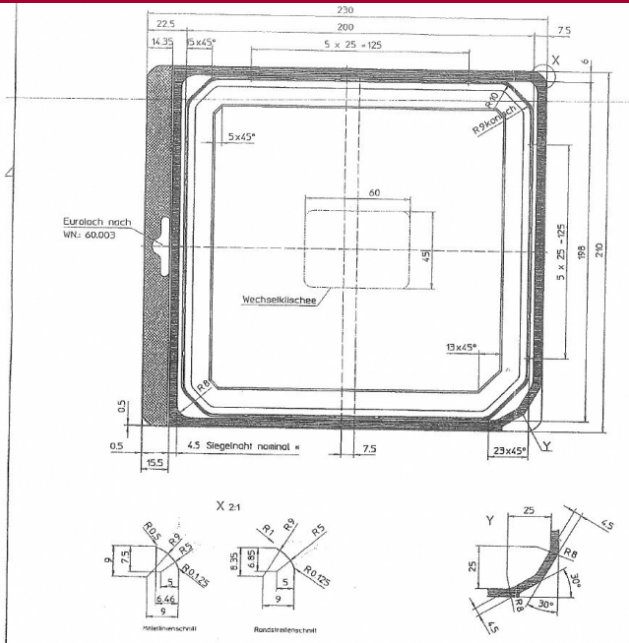
Other features of the machine

- Vacuum option
- Gas flushing
- label option
- Forming Pump

If you wish, you can contact us more photos or information.







- Abzug 230
FB 459
- 1 Formstulpe
 - 2 VFS 20-40
 - 3 Siegelstahl
 - 4 Elasteherer CP/VP
 - 5 Messervelle ZT 14
 - 6 Randscheffelwickler
 - 7 AU/Ulrbord
 - 8 Stange FS 1